

architect

iC1

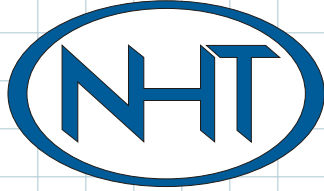
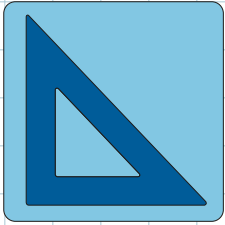
in-ceiling loudspeaker

iC1 In-Ceiling Loudspeaker

The iC1 is an updated version of NHT's CS6.1 in-ceiling speaker featuring natural tonal balance and even response. The iC1 features a new woofer with improved midrange detail and power handling and a new spring-loaded "dog ear" mounting system. Pre-construction brackets are available, and the iC2 features a new spring-loaded "dog ear" mounting system.



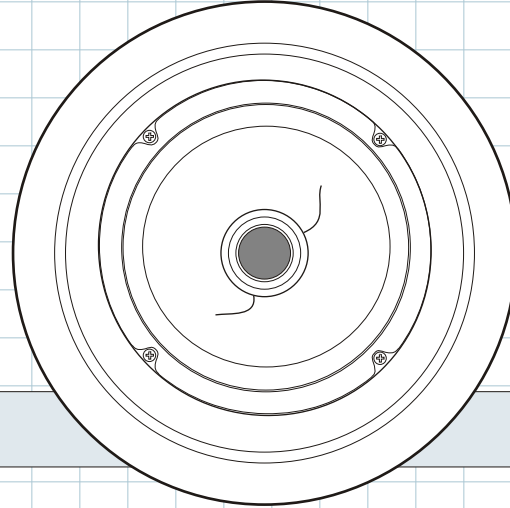
Customer	
Speaker location	
Quantity	
Notes	



architect

iC1

in-ceiling loudspeaker



Specifications

System Type:	2-way in-ceiling design
Driver Complement:	6.5" long-throw polypropylene cone woofer 1" fluid cooled soft dome tweeter coaxially mounted
Crossover:	2.2KHz, 18dB/octave high-pass and 12dB/octave low pass
Response:	60Hz - 20KHz, +/- 3dB
Sensitivity:	86dB (2.83V at 1M)
Impedance:	8 ohms nominal
Recommended Power:	10W/ch minimum, 100W/ch maximum
Inputs:	Spring clips
Weight:	4.6 lbs.
Cutout Dimensions:	8 13/16" dia.
Bezel Dimensions:	9 11/16" dia
Depth Behind Ceiling:	4 13/16"
Finish:	Matte white (paintable)

all specification subject to change