

architect

iC3

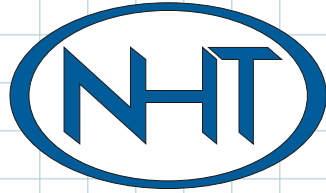
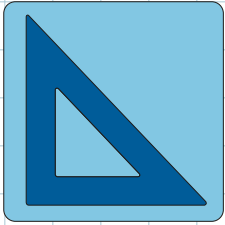
in-ceiling loudspeaker

iC3 In-Ceiling Loudspeaker

The iC3 is high performance version of the iC2, featuring new woofers and tweeters with aluminum cones that improve power handling, reduce distortion and increase output capability. The iC3 features NHT's patented 3-tweeter array providing broad dispersion and even response up to 60 degrees off axis. The iC3 is ideal as a rear channel for home theater installations and a good sonic match for either the NHT Super Audio or Evolution series. Pre-construction brackets are available, and the iC3 features a new spring-loaded "dog ear" mounting system.



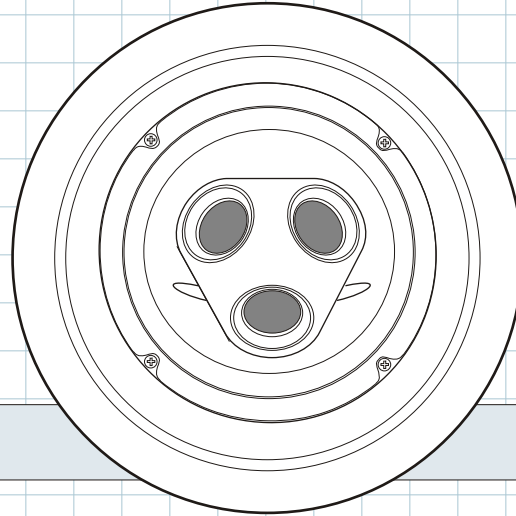
Customer	
Speaker location	
Quantity	
Notes	



architect

iC3

in-ceiling loudspeaker



Specifications

System Type:	2-way in-ceiling design
Driver Complement:	6.5" long-throw aluminum cone woofer 1" fluid cooled aluminum dome three tweeter array
Crossover:	1.9KHz, 18dB/octave high-pass and 12dB/octave low pass
Response:	50Hz - 20KHz, +/- 3dB
Sensitivity:	85dB (2.83V at 1M)
Impedance:	8 ohms nominal
Recommended Power:	10W/ch minimum, 125W/ch maximum
Inputs:	Professional grade spring posts
Weight:	5 lbs.
Cutout Dimensions:	8 13/16" dia.
Bezel Dimensions:	9 11/16" dia
Depth Behind Wall:	4 13/16"
Finish:	Matte white (paintable)

all specification subject to change