

architect

iC4

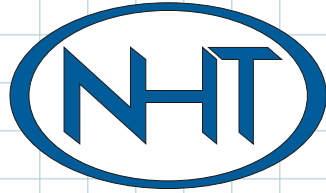
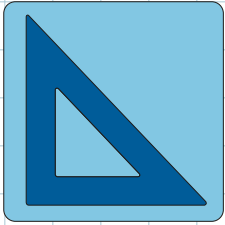
in-ceiling loudspeaker

iC4 In-Ceiling Loudspeaker

The iC4 is truly a high performance in-ceiling loudspeaker. It features an 8" aluminum cone woofer and NHT's patented 3-tweeter array also with aluminum domes. The iC4 has tremendous output capabilities, and broad, even dispersion not usually found in ceiling speaker designs. Bass response is remarkable (to 40Hz), making the iC4 the ideal choice for rear channels in high performance home theater installations or wherever full range response is desired. Pre-construction brackets are available, and the iC4 features a new spring-loaded "dog ear" mounting system.



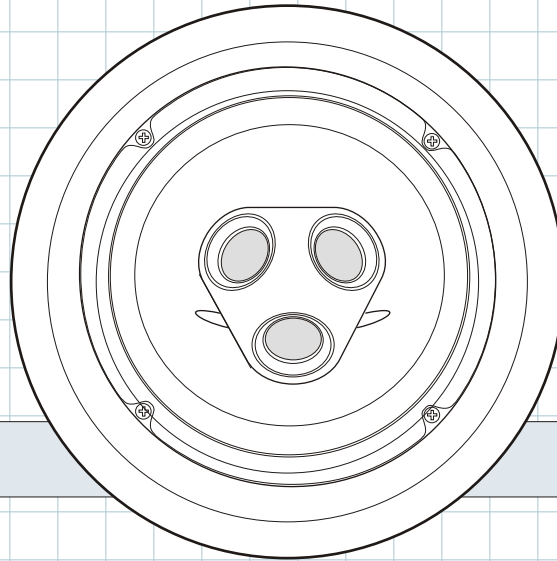
Customer	
Speaker location	
Quantity	
Notes	



architect

iC4

in-ceiling loudspeaker



Specifications

System Type:	2-way in-ceiling design
Driver Complement:	8" long-throw aluminum cone woofer 1" fluid cooled aluminum dome three tweeter array
Crossover:	1.6KHz, 18dB/octave high-pass and 12dB/octave low pass
Response:	40Hz - 20KHz, +/- 3dB
Sensitivity:	87dB (2.83V at 1M)
Impedance:	8 ohms nominal
Recommended Power:	10W/ch minimum, 150W/ch maximum
Inputs:	Professional grade spring posts
Weight:	7 lbs.
Cutout Dimensions:	10 1/4" dia.
Bezel Dimensions:	11 1/4" dia
Depth Behind Wall:	4 3/4"
Finish:	Matte white (paintable)

all specification subject to change