

architect

iW1

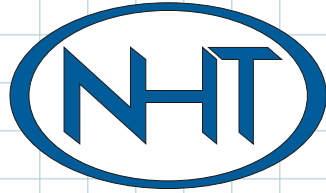
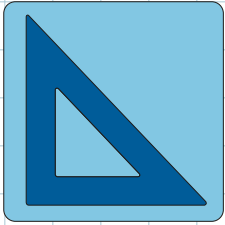
in-wall loudspeaker

iW1 In-Wall Loudspeaker

Featuring a new point source design, the iW1 from NHT is simple to install and delivers sonic performance rivaling the best 2-way in-wall speakers. The iW1 is extremely affordable making it ideal for distributed sound in non-critical listening rooms.



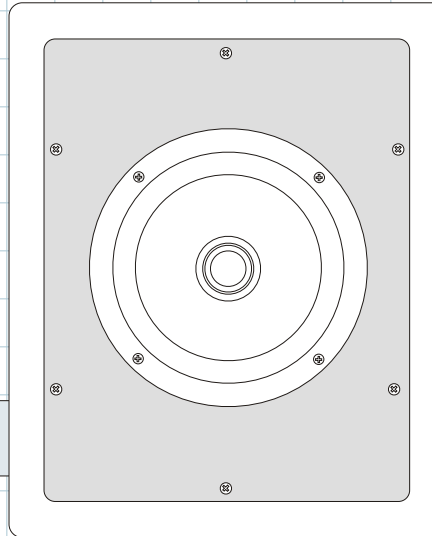
Customer	
Speaker location	
Quantity	
Notes	



architect

iW1

in-wall loudspeaker



Specifications

System Type:	2-way in-wall design
Driver Complement:	6.5" long-throw polypropylene cone woofer 1" fluid cooled soft dome tweeter coaxially mounted
Crossover:	2.4KHz, 18dB/octave high-pass and 12dB/octave low pass
Response:	62Hz - 20KHz, +/- 3dB
Sensitivity:	86dB (2.83V at 1M)
Impedance:	8 ohms nominal
Recommended Power:	10W/ch minimum, 100W/ch maximum
Inputs:	Spring clips
Weight:	7 lbs.
Cutout Dimensions:	10 1/4" H 8 1/8" W
Bezel Dimensions:	11 3/8" H 9 1/4" W
Depth Behind Wall:	3 1/4"
Finish:	Matte white (paintable)

all specification subject to change